

PRODUCT SPECIFICATION SHEET WORKS W / ALL (GWB) MODELS

VICTORIA™ SERIES

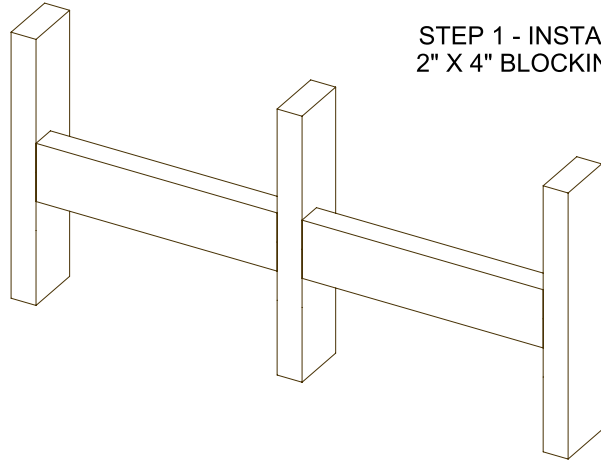
18", 24" & 36" GYPSUM WALLBOARD KITS

[GYPSUM INSTALLATION SYSTEMS]

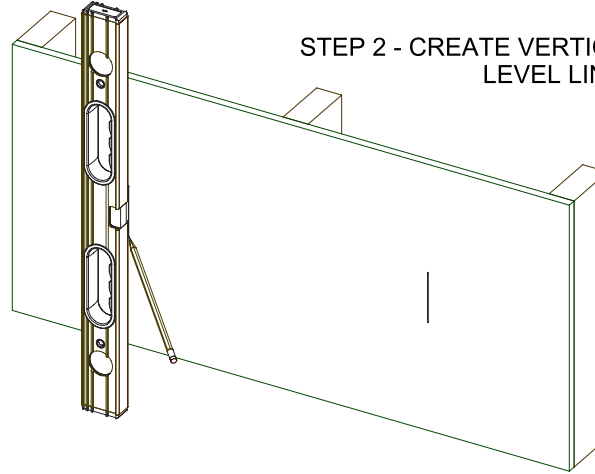
FINISHES: PC, BN, ORB

FASTENER SYSTEM ONLY WORKS WITH 1/2" GYPSUM WALLBOARD (GWB)
 FASTENER SYSTEM ONLY WORKS WITH WOOD BLOCKING (NO WALL ANCHORS)
 REFER TO INSTALLATION INSTRUCTIONS BEFORE USE
 COMPATIBLE WITH ALL TILEWARE GRAB BAR MODELS & FINISHES

ADA
COMPLIANT



STEP 1 - INSTALL
2" X 4" BLOCKING



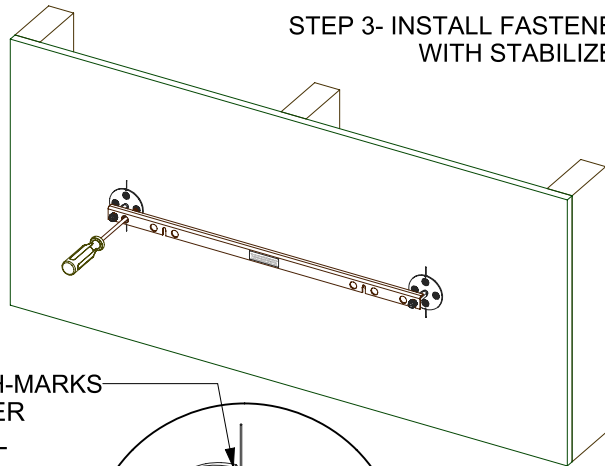
STEP 2 - CREATE VERTICAL
LEVEL LINES

**DISTANCE BETWEEN
LEVEL LINES**

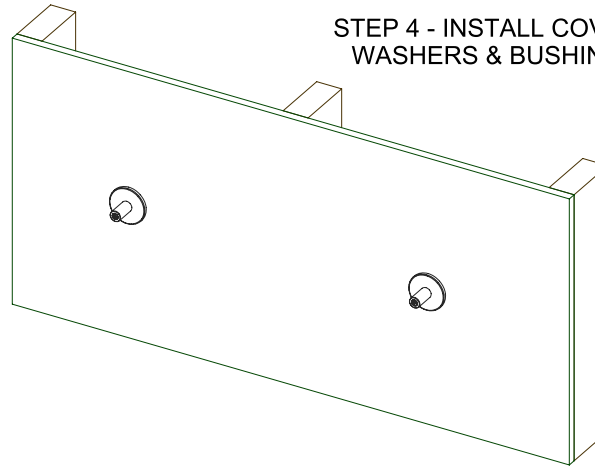
18" GRAB BAR = 12"

24" GRAB BAR = 18"

36" GRAB BAR = 24"

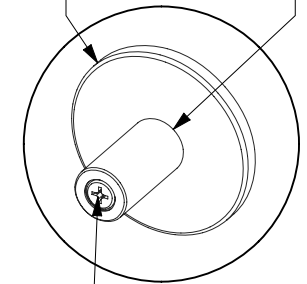


STEP 3- INSTALL FASTENER
WITH STABILIZER



STEP 4 - INSTALL COVER
WASHERS & BUSHINGS

COVER WASHER BUSHING



10-24 SCREW

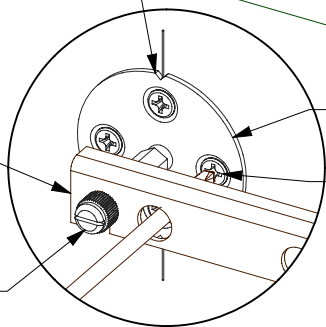
ALIGN HASH-MARKS
IN FASTENER
WITH LEVEL
LINES

STABILIZER

FASTENER

WOOD SCREW

THUMB SCREW



STABILIZER INCLUDED IN KIT ASSISTS IN PROPERLY MOUNTING GRAB BAR. MAKE SURE HASH-MARKS ON GWB FASTENERS ALIGN WITH LEVEL LINES. ALTERNATE SCREW ATTACHMENT STARTING WITH VERTICAL HOLES, PROCEED WITH HORIZONTAL HOLES. FASTENERS SHOULD FIT FLUSH WITH COUNTERSINK RECESSES DRAWN INTO GYPSUM WALLBOARD SURFACE.

NOTE: STABILIZER REPRESENTS THE PRECISE MOUNTING DIMENSIONS OF GRAB BAR. WHEN MOUNTED PROPERLY STABILIZER SHOULD "FREELY" SLIP ON AND OFF THUMB SCREWS.

TW-ENG6



TileWare Products

www.tilewareproducts.com

Office (828) 322-9273 Fax (828) 304-1076

ERP PART #		APPROVALS	DATE
DWG #	561	RLS	10/9/15
SHEET 1 OF 2	SCALE 1:10		
WEIGHT:	LB	CUBED:	IN ³

PRODUCT SPECIFICATION SHEET WORKS W / ALL (GWB) MODELS

VICTORIA™ SERIES

18", 24" & 36" GYPSUM WALLBOARD KITS

[GYPSUM INSTALLATION SYSTEMS]

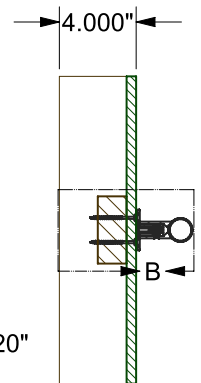
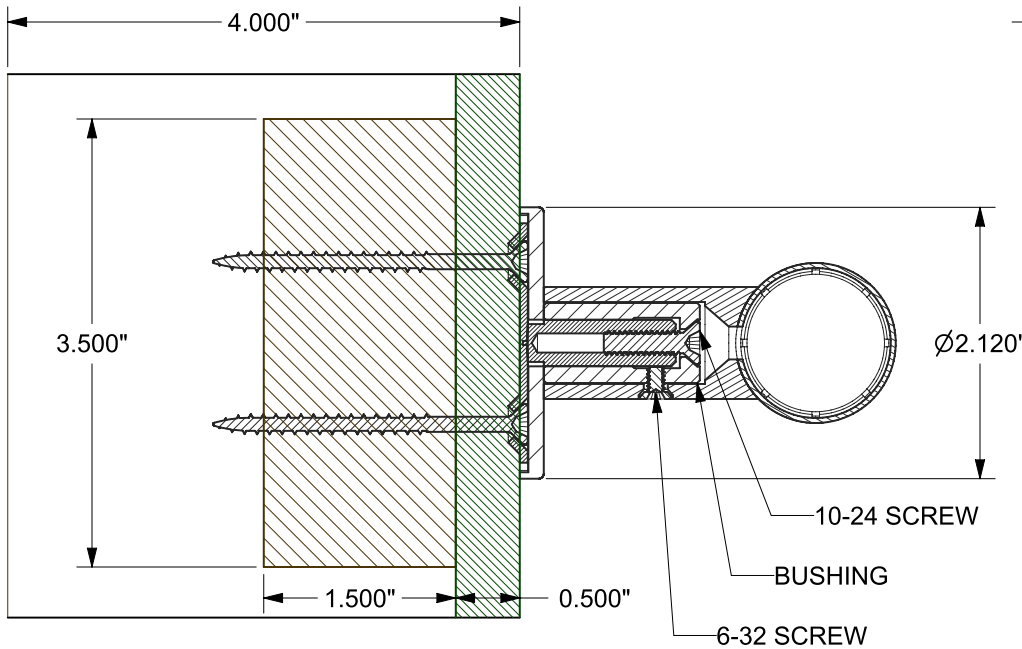
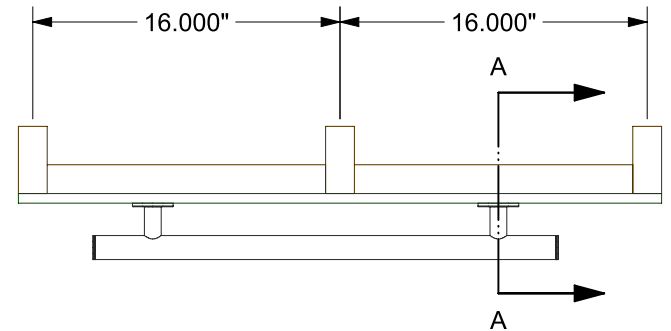
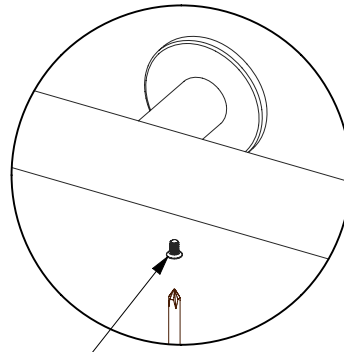
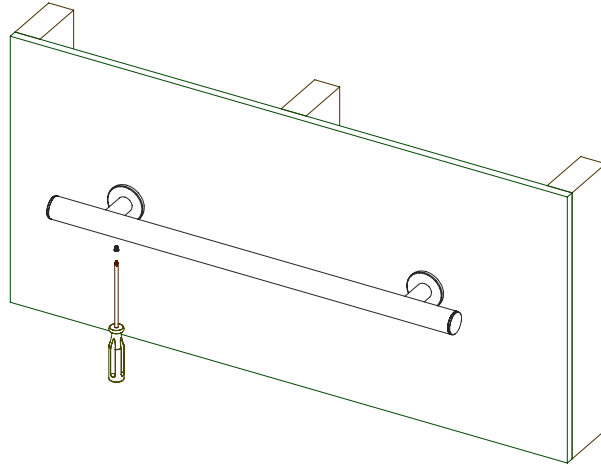
FINISHES: PC, BN, ORB

FASTENER SYSTEM ONLY WORKS WITH 1/2" GYPSUM WALLBOARD (GWB)
 FASTENER SYSTEM ONLY WORKS WITH WOOD BLOCKING (NO WALL ANCHORS)
 REFER TO INSTALLATION INSTRUCTIONS BEFORE USE
 COMPATIBLE WITH ALL TILEWARE GRAB BAR MODELS & FINISHES

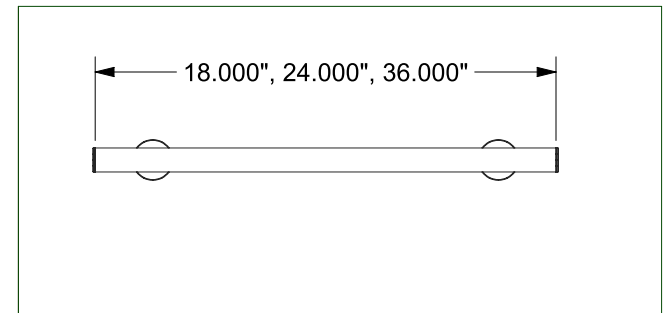
ADA
COMPLIANT



STEP 5 - INSTALL GRAB BAR WITH 6-32 SCREWS



SECTION A-A



TW-ENG6



TileWare Products
www.tilewareproducts.com

ERP PART #	APPROVALS	DATE
DWG #	561	10/9/15
SHEET 2 OF 2	SCALE 1:10	
WEIGHT:	LB	CUBED: IN ³

Office (828) 322-9273 Fax (828) 304-1076